

LCD Monitor Arm // Installation Manual

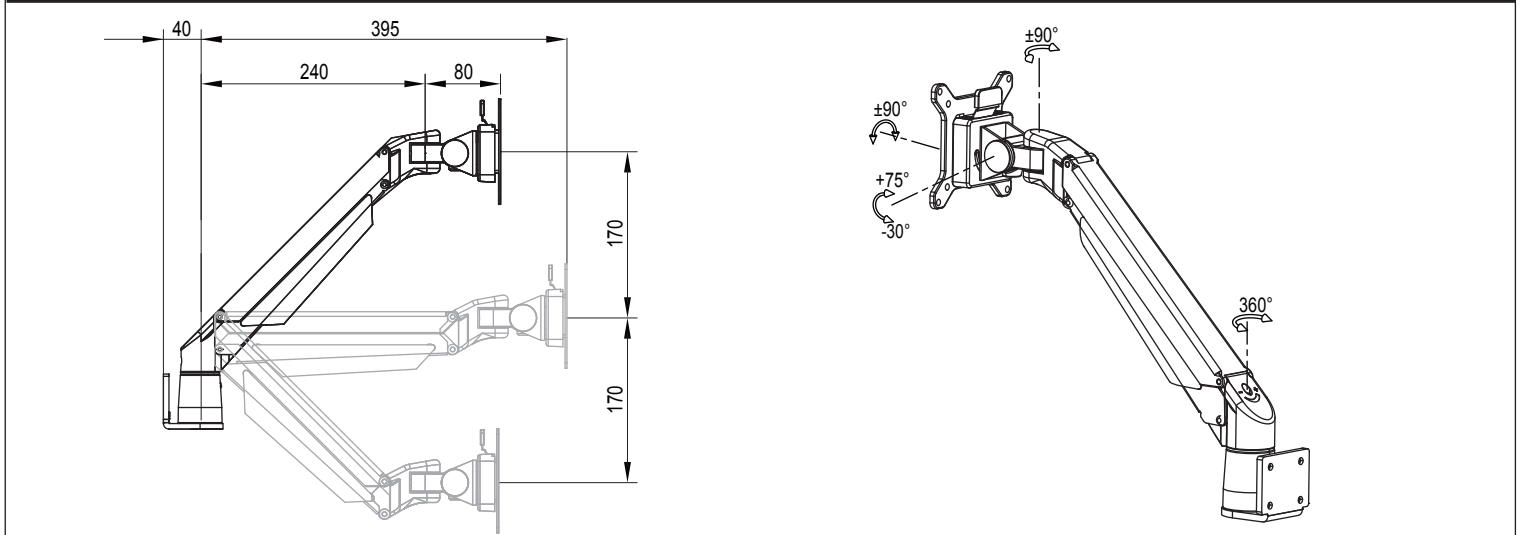
Product name: Full motion wall gas arm

Model no. BS103

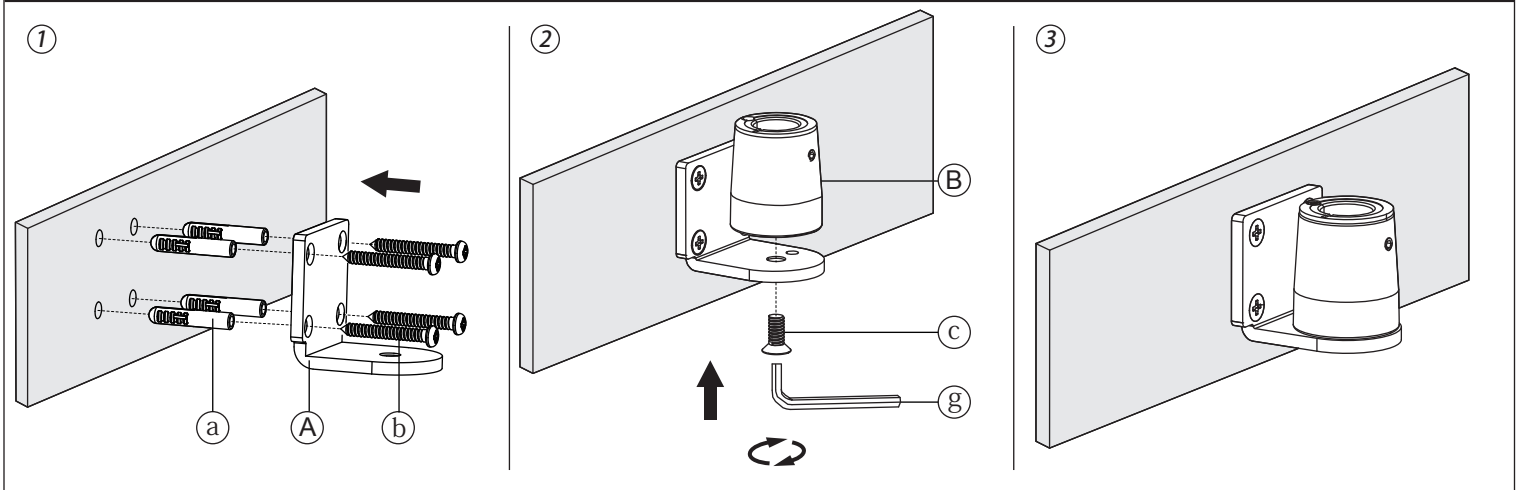
Product Specification

Sketch											
Item	Monitor size	Weight range (kg)	Lift(mm)	Tilt	Swivel	Pivot	VESA	Packing size (mm)	N.W(kg)	G.W(kg)	Hole layout (mm)
Specification	≤30°	2-10	340	+75°~ -30°	±90°	±90°	75*75	Inner: 520*140*110	Inner: 2.1	Inner: 2.5	44x35
		8-20						Outer: 535*155*350			
							100*100	Inner/Outside: 3/1			

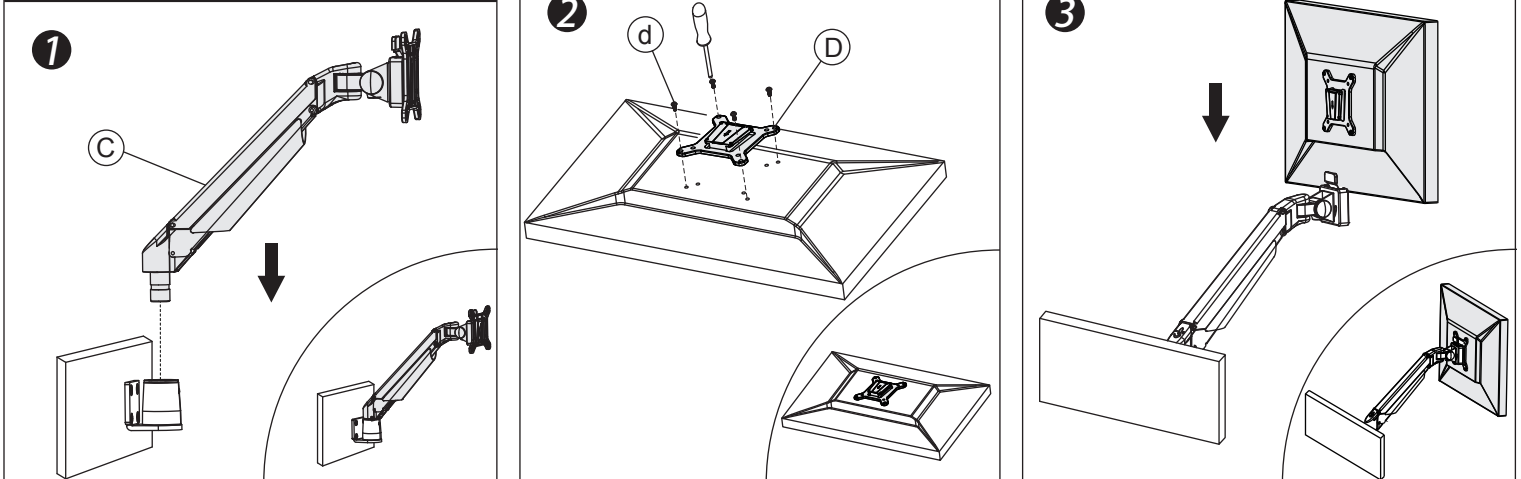
Product Size

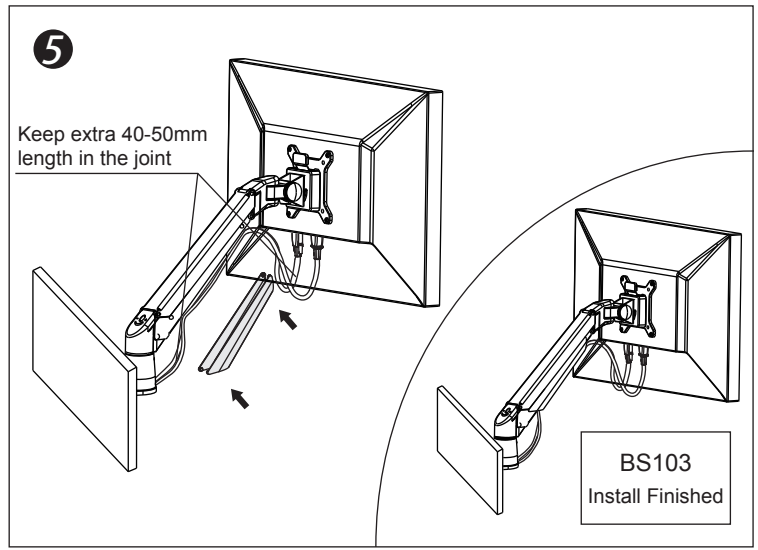
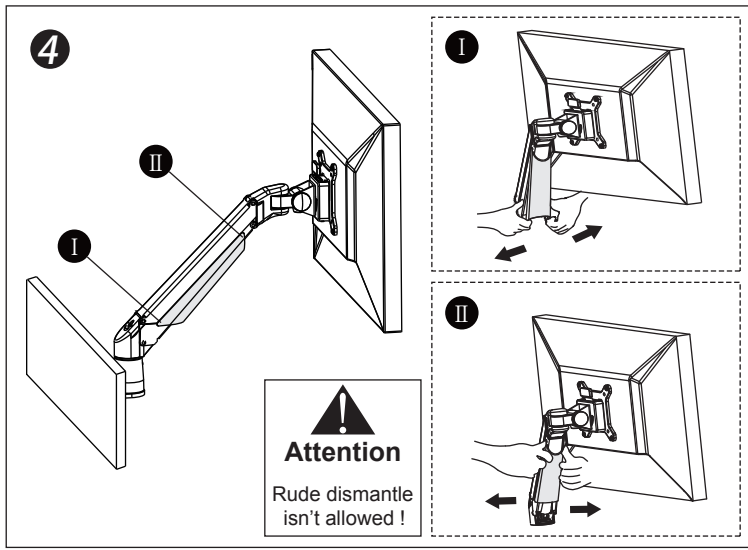


Installation of Wall-fixed Base

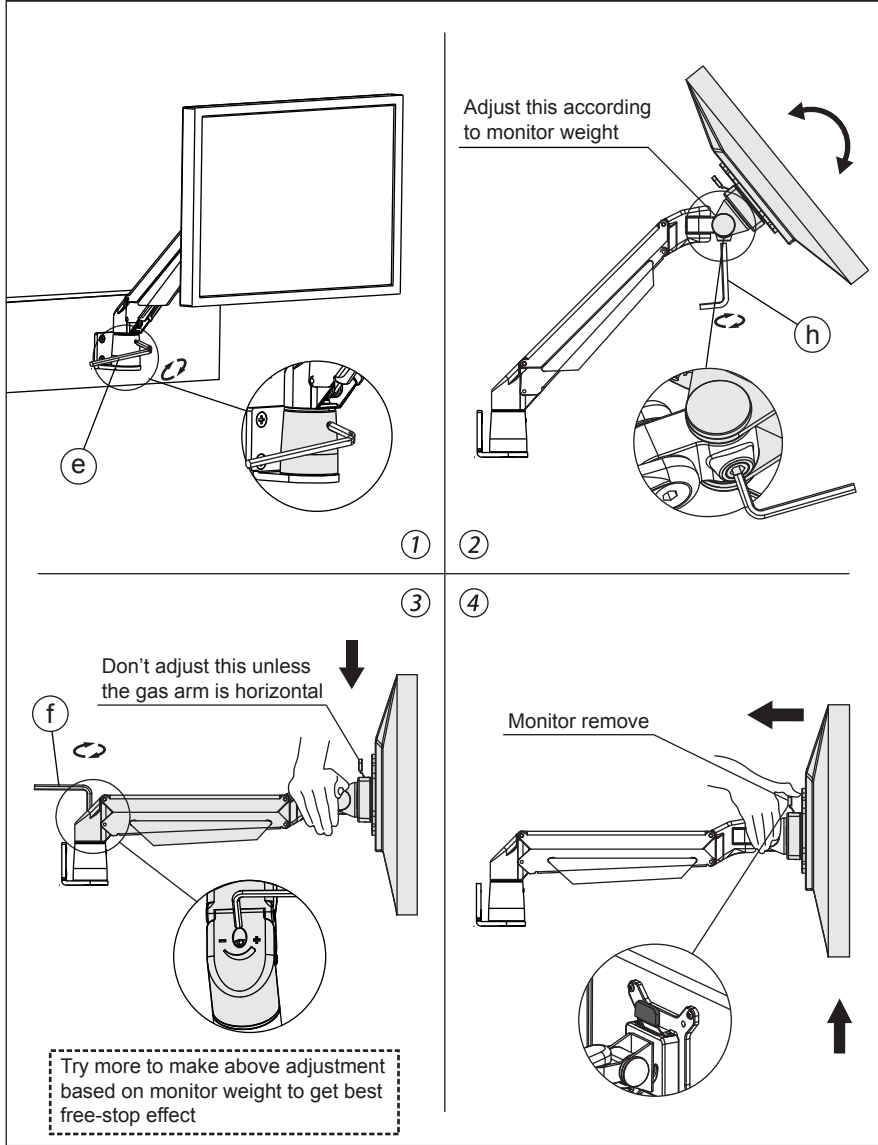


Install Procedure





Adjust Procedure



Module List

No.	Sketch	Specs	Quantity
A			1
B			1
C			1
D			1

Part List

No.	Sketch	Specs	Quantity
a		Ø10x40	4
b		M6x40	4
c		M8x25	1
d		M4x12	4
e		M3	1
f		M4	1
g		M5	1
h		M6	1