

LCD Monitor Arm // Installation Manual

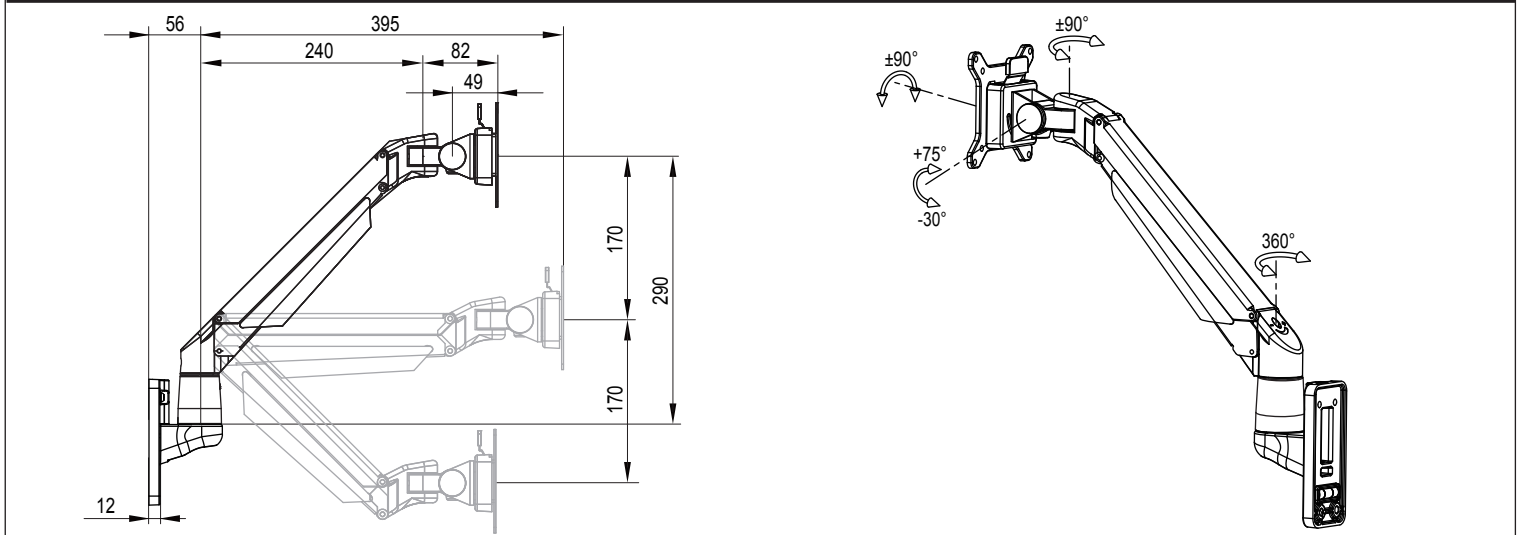
Product name: Full motion wall gas arm

Model no. BS113

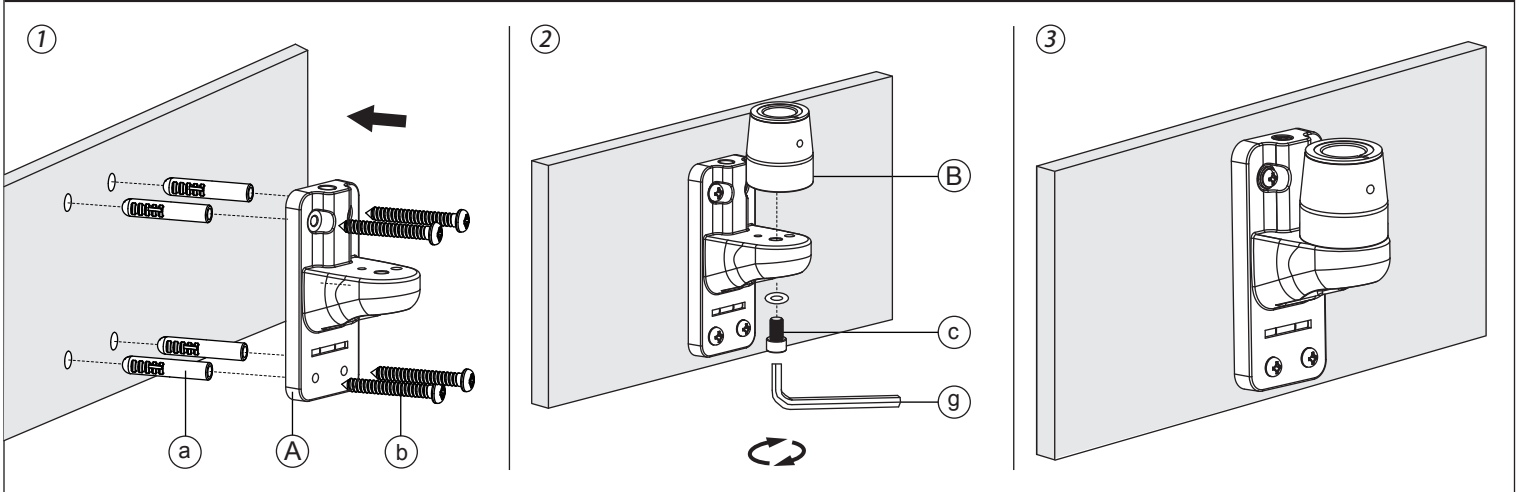
Product Specification

Sketch											
Item	Monitor size	Weight range (kg)	Lift(mm)	Tilt	Swivel	Pivot	VESA	Packing size (mm)	N.W(kg)	G.W(kg)	Hole layout (mm)
Specification	≤30°	2-10	340	+75°~ -30°	±90°	±90°	75*75	Inner: 520*140*110	Inner: 1.8	Inner: 2.2	28.6x104
		8-20					100*100	Outer: 535*155*350	Outer: 5.4	Outer: 7	

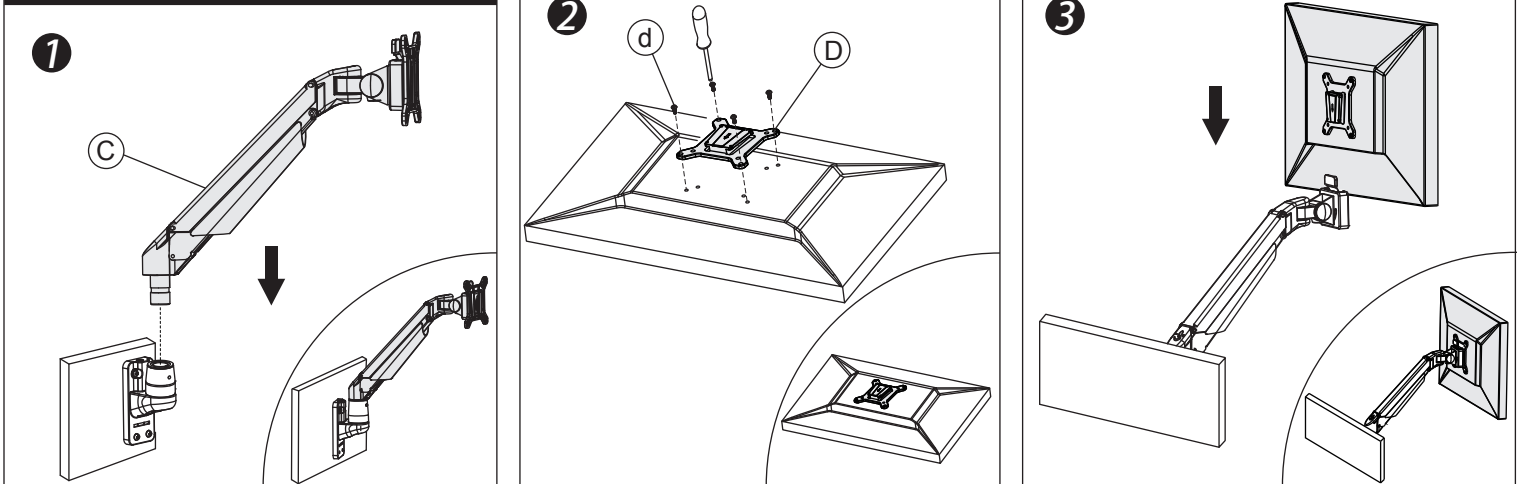
Product Size

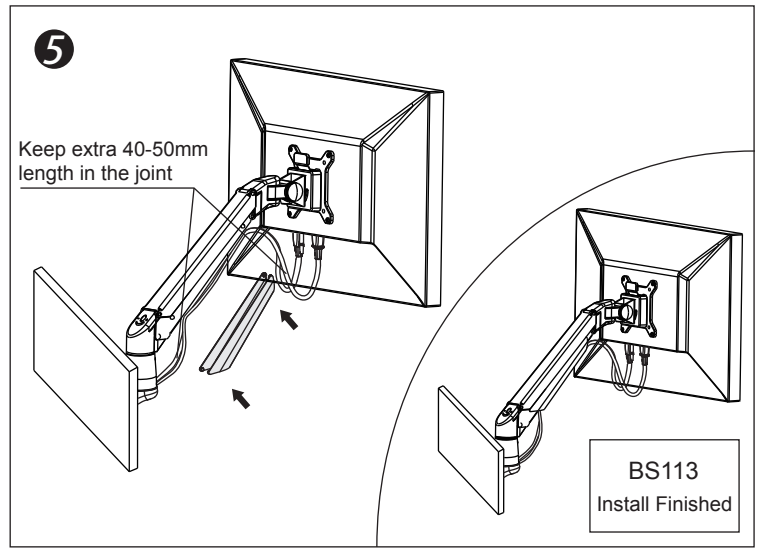
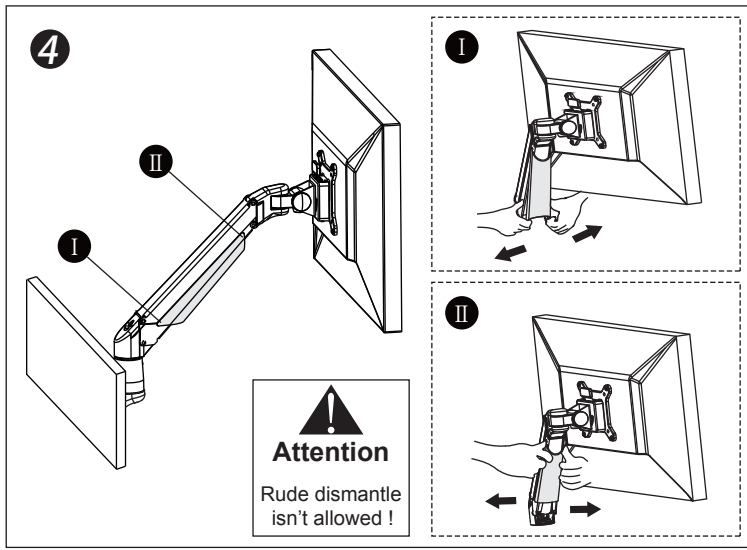


Installation of Wall-fixed Base

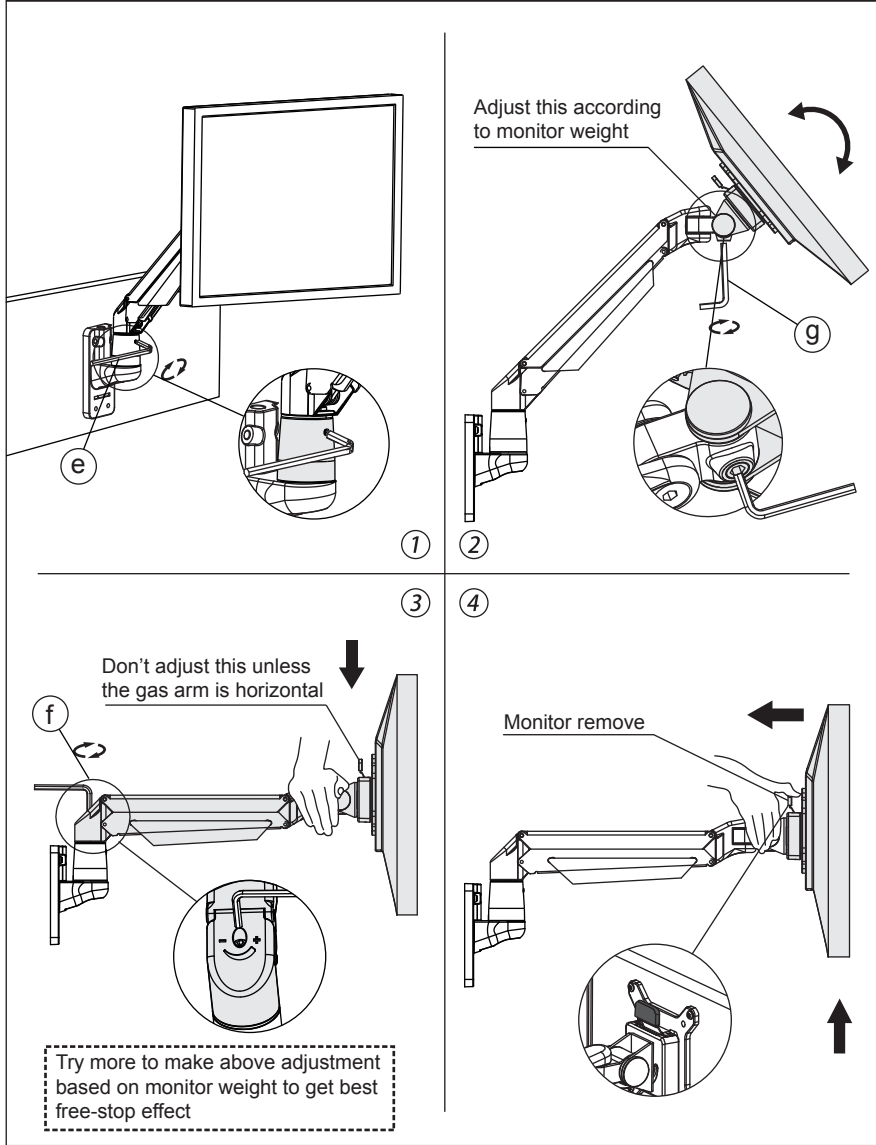


Install Procedure





Adjust Procedure



Module List

No.	Sketch	Specs	Quantity
A			1
B			1
C			1
D			1

Part List

No.	Sketch	Specs	Quantity
a		Ø10x40	4
b		M6x40	4
c		M8x25	1
d		M4x12	4
e		M3	1
f		M4	1
g		M6	1