

# LCD Monitor Arm // Installation Manual

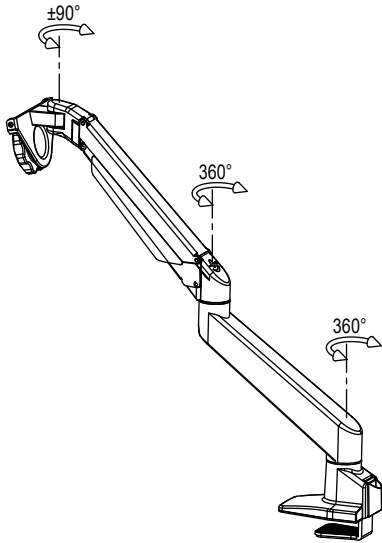
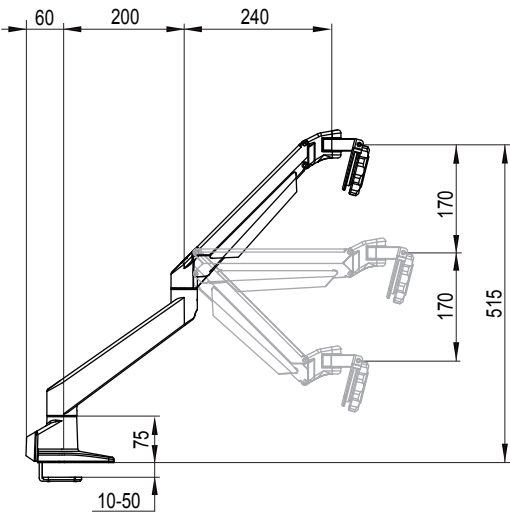
Product name: Full motion desk gas arm

Model no. BS111

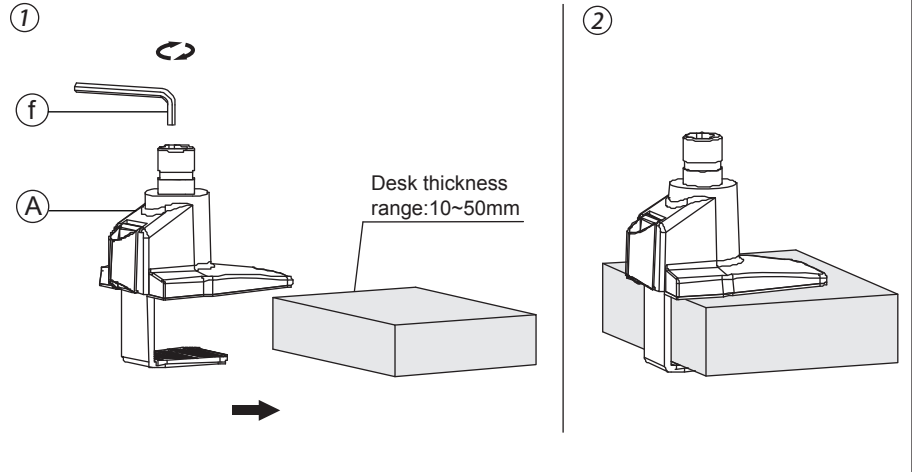
## Product Specification

Sketch											Desk thickness (mm)	
Item	Monitor size	Weight range (kg)	Lift (mm)	Tilt	Swivel	Pivot	VESA	Packing size (mm)	N.W(kg)	G.W(kg)	Thru-desk	Desk clamp
Specification	≤30°	2-10	340	—	±90°	—	—	Inner: 475*195*140	Inner: 3.5	Inner: 4	50	50
								Outside: 490*210*440				
								Inner/Outside: 3/1				

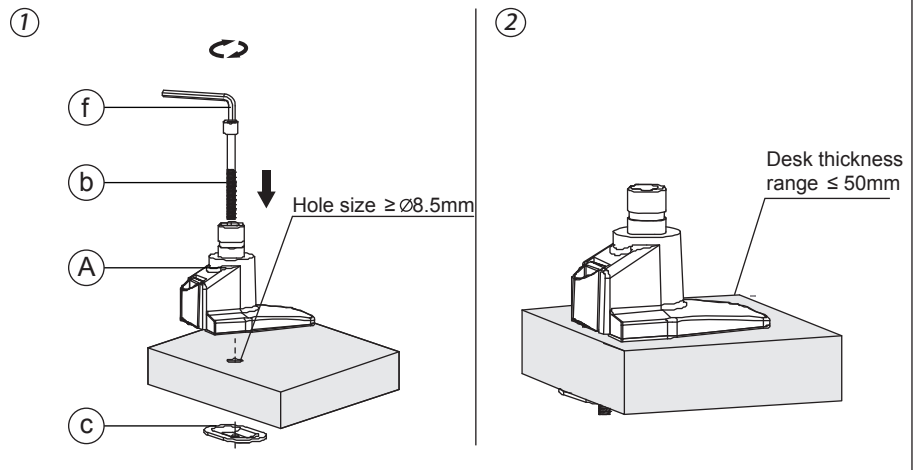
## Product Size



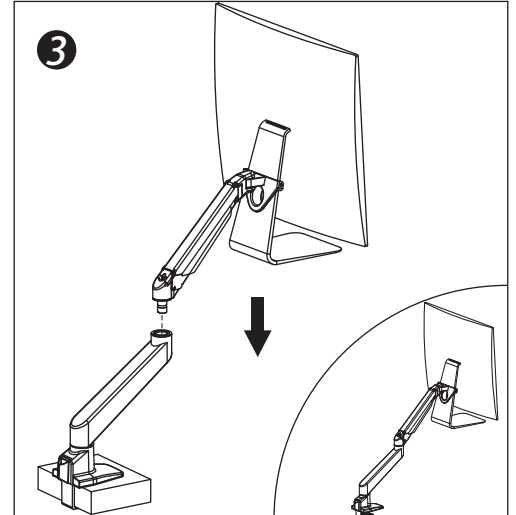
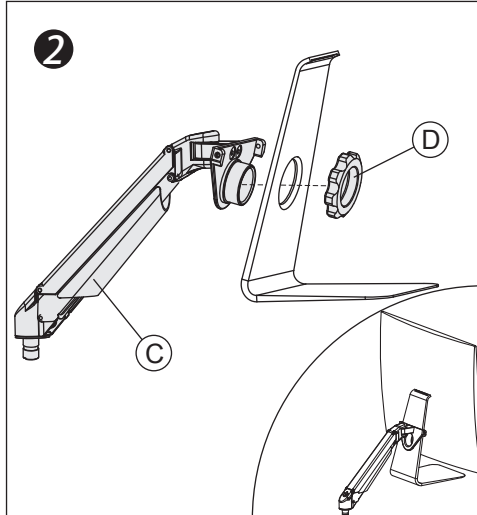
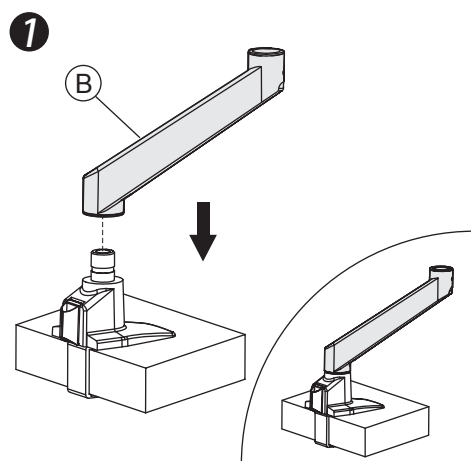
## Installation – Desk Clamp

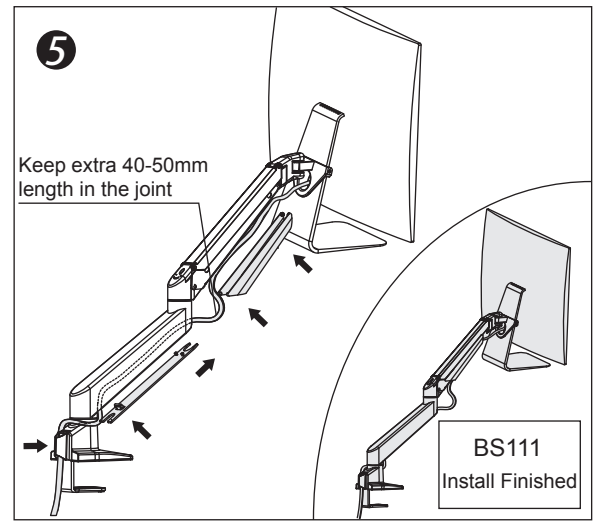
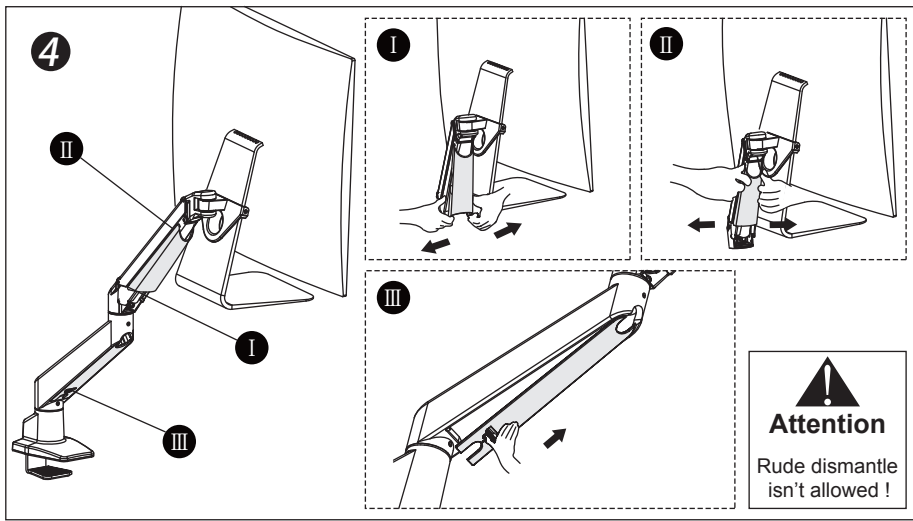


## Installation – Thru-desk



## Install Procedure





Module List			
No.	Sketch	Specs	Quantity
A			1
B			1
C			1
D			1

Part List			
No.	Sketch	Specs	Quantity
a		M4x12	4
b		M8x160	1
c			1
d		M4	1
e		M6	1
f		M6	1

