
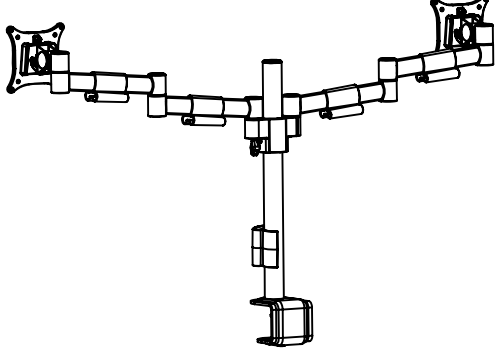

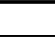
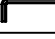







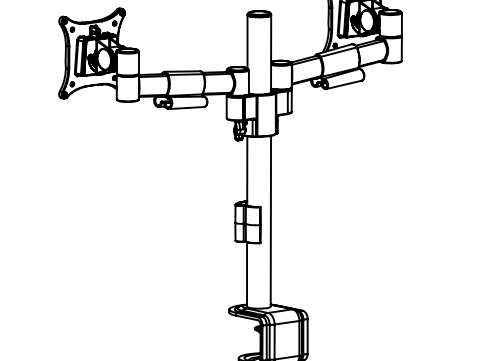


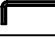







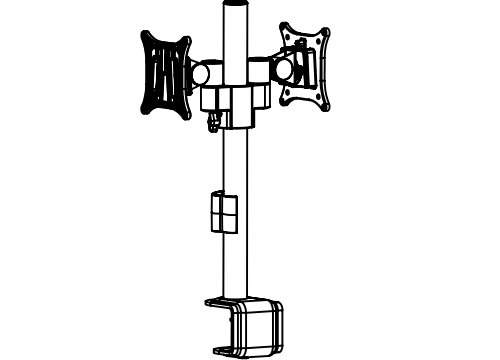






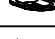




Installation Manual

Parts list


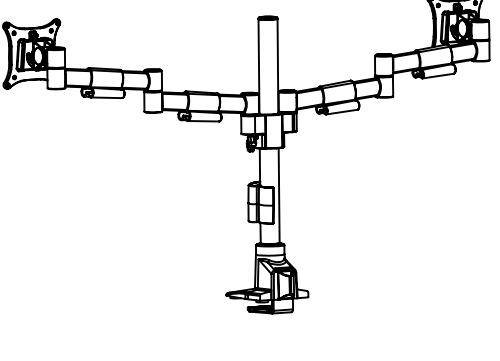

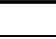
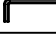



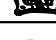

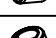

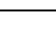
| No. | ITEM | SPECS | QUANTITY | M200 |
|-----|---|-------|----------|---|
| A |  | | 8 |  |
| B |  | | 8 | |
| C |  | M6 | 1 | |
| D |  | M4 | 1 | |
| F |  | M2.5 | 1 | |
| G |  | | 1 | |
| H |  | | 2 | |
| I |  | | 1 | |
| J |  | M8*90 | 1 | |
| K |  | | 1 | |
| | | | | |


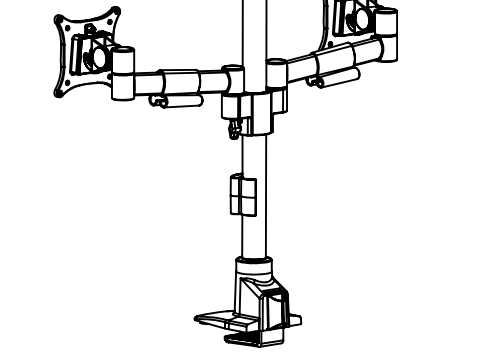


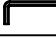







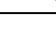
| No. | ITEM | SPECS | QUANTITY | M201 |
|-----|---|-------|----------|---|
| A |  | | 8 |  |
| B |  | | 8 | |
| C |  | M6 | 1 | |
| D |  | M4 | 1 | |
| F |  | M2.5 | 1 | |
| G |  | | 1 | |
| H |  | | 2 | |
| I |  | | 1 | |
| J |  | M8*90 | 1 | |
| K |  | | 1 | |
| | | | | |


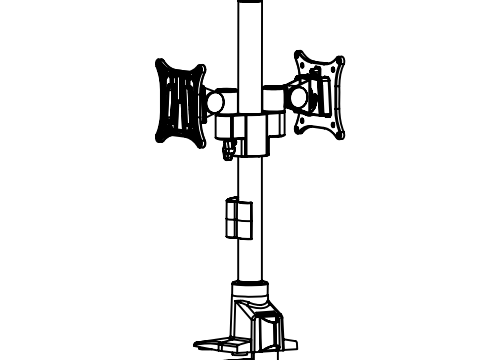







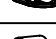


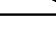
| No. | ITEM | SPECS | QUANTITY | M203 |
|-----|---|-------|----------|---|
| A |  | | 8 |  |
| B |  | | 8 | |
| C |  | M6 | 1 | |
| D |  | M4 | 1 | |
| F |  | M2.5 | 1 | |
| G |  | | 1 | |
| H |  | | 2 | |
| I |  | | 1 | |
| J |  | M8*90 | 1 | |
| K |  | | 1 | |
| | | | | |

Installation Manual

Parts list


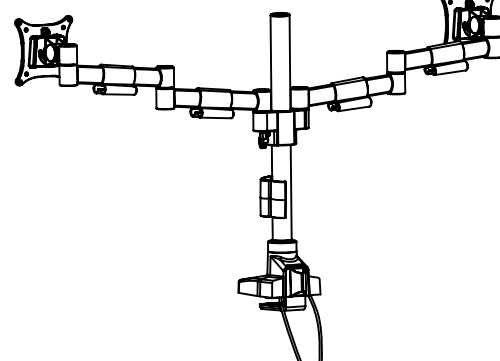

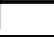






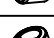
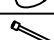
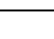
| No. | ITEM | SPECS | QUANTITY | M204 |
|-----|---|--------------------|----------|---|
| A |  | | 8 |  |
| B |  | | 8 | |
| C |  | M6 | 1 | |
| D |  | M4 | 1 | |
| E |  | M3 | 1 | |
| F |  | M2.5 | 1 | |
| G |  | | 1 | |
| H |  | | 2 | |
| I |  | | 1 | |
| L |  | set screws M6*6 | 1 | |
| M |  | | 1 | |
| N |  | M8*160 | 1 | |


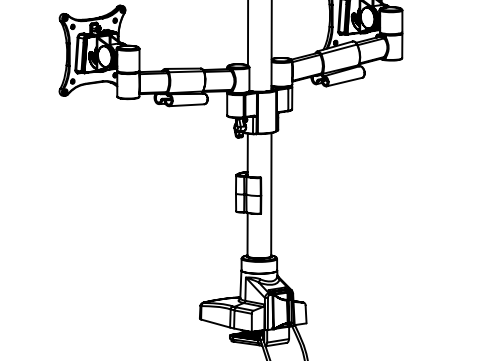









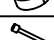
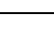
| No. | ITEM | SPECS | QUANTITY | M205 |
|-----|---|--------------------|----------|---|
| A |  | | 8 |  |
| B |  | | 8 | |
| C |  | M6 | 1 | |
| D |  | M4 | 1 | |
| E |  | M3 | 1 | |
| F |  | M2.5 | 1 | |
| G |  | | 1 | |
| H |  | | 2 | |
| I |  | | 1 | |
| L |  | set screws M6*6 | 1 | |
| M |  | | 1 | |
| N |  | M8*160 | 1 | |


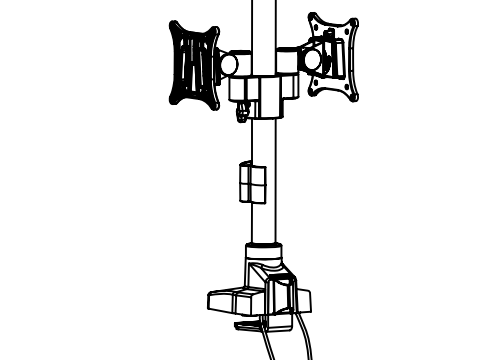










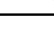
| No. | ITEM | SPECS | QUANTITY | M207 |
|-----|---|--------------------|----------|---|
| A |  | | 8 |  |
| B |  | | 8 | |
| C |  | M6 | 1 | |
| D |  | M4 | 1 | |
| E |  | M3 | 1 | |
| F |  | M2.5 | 1 | |
| G |  | | 1 | |
| H |  | | 2 | |
| I |  | | 1 | |
| L |  | set screws M6*6 | 1 | |
| M |  | | 1 | |
| N |  | M8*160 | 1 | |

Installation Manual

Parts list

| No. | ITEM | SPECS | QUANTITY | M204U |
|-----|---|--------------------|----------|---|
| A |  | | 8 |  |
| B |  | | 8 | |
| C |  | M6 | 1 | |
| D |  | M4 | 1 | |
| E |  | M3 | 1 | |
| F |  | M2.5 | 1 | |
| G |  | | 1 | |
| H |  | | 2 | |
| I |  | | 1 | |
| L |  | set screws M6*6 | 1 | |
| M |  | | 1 | |
| N |  | M8*160 | 1 | |

| No. | ITEM | SPECS | QUANTITY | M205U |
|-----|---|--------------------|----------|---|
| A |  | | 8 |  |
| B |  | | 8 | |
| C |  | M6 | 1 | |
| D |  | M4 | 1 | |
| E |  | M3 | 1 | |
| F |  | M2.5 | 1 | |
| G |  | | 1 | |
| H |  | | 2 | |
| I |  | | 1 | |
| L |  | set screws M6*6 | 1 | |
| M |  | | 1 | |
| N |  | M8*160 | 1 | |

| No. | ITEM | SPECS | QUANTITY | M207U |
|-----|---|--------------------|----------|---|
| A |  | | 8 |  |
| B |  | | 8 | |
| C |  | M6 | 1 | |
| D |  | M4 | 1 | |
| E |  | M3 | 1 | |
| F |  | M2.5 | 1 | |
| G |  | | 1 | |
| H |  | | 2 | |
| I |  | | 1 | |
| L |  | set screws M6*6 | 1 | |
| M |  | | 1 | |
| N |  | M8*160 | 1 | |