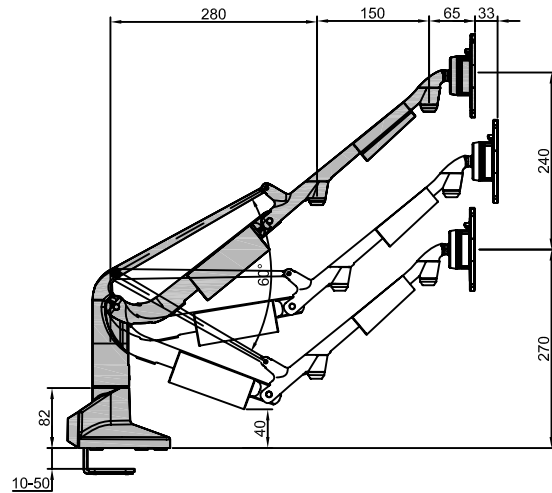


Product name: Full motion laptop gas arm

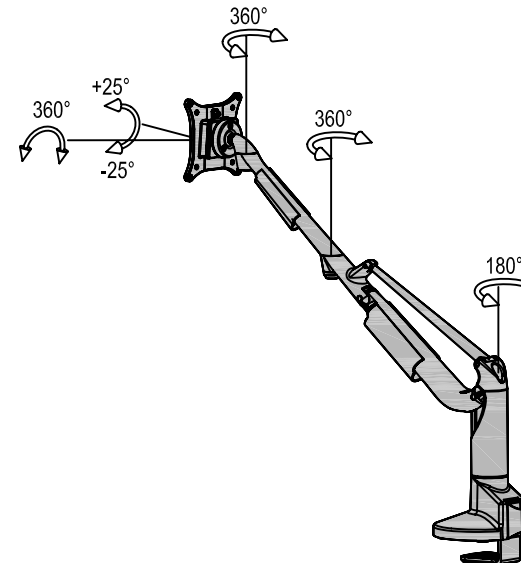
Model No.: K100



Product Features	Technical parameter											
<ul style="list-style-type: none"> ·Easy to adjust the monitor angle and position to satisfy the different view. ·Use the gas cylinder adjust design, make free up&down movement for the monitors. ·Simple installation design makes more flexible in using at the narrow place. 											Desk thickness application (mm)	
	LCD Size	Wt.Capacity(kg)	Lift(mm)	Tilt	Swivel	Pivot	VESA	Packing size(mm)	NW(kg)	GW(kg)	Thru desk	Desk clamp
	≤30"	1.5-7.5	240	+25°~-25°	±180°	360°	75*75 100*100	Inner: 490*310*160 Outer: 510*330*510 Inner/Outer: 3/1	Inner: 3.2 Outer: 9.6	Inner: 4.0 Outer: 13	60	50



Product Dimensions



Multifunctional adjustment figure