

Product name: Double desktop Monitor bracket

Model No. : BL201

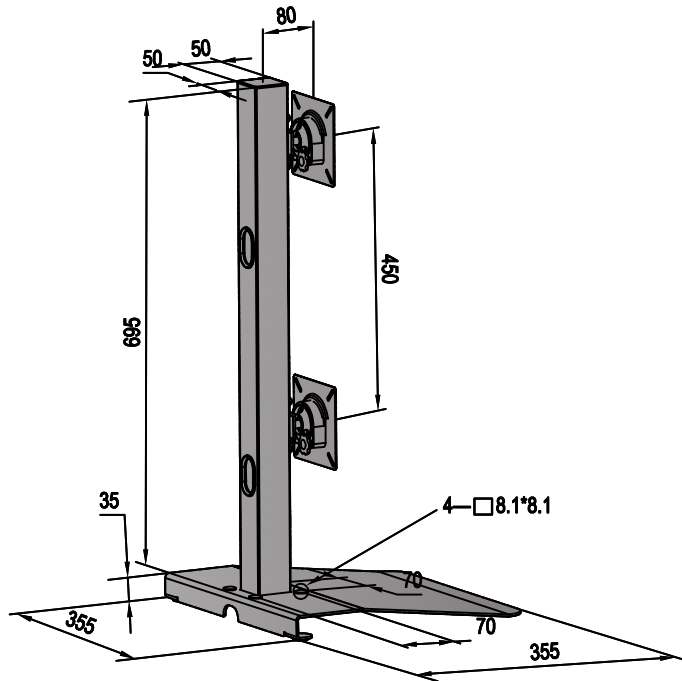
**ThinkWise**

Product Features

Made of sheet metal with space painting. Widely used in console, financial, and security system etc.

cable management, keep the workstation clean and beautiful

Product Dimensions



Technical parameter

								GW (kg)
LCD Size	Wt.Capacity	Lift	Tilt	Swivel	Pivot	VESA (mm)	Packing size	7.2
<24"	11	—	±25°	±25°	360°	75*75 100*100	880*160*140 410*400*60	NW (kg) 6.2

Mul ti functi onal adj ustment fi gure

