

# Product name: Quad lcd monitor arm

## Model No.: L400

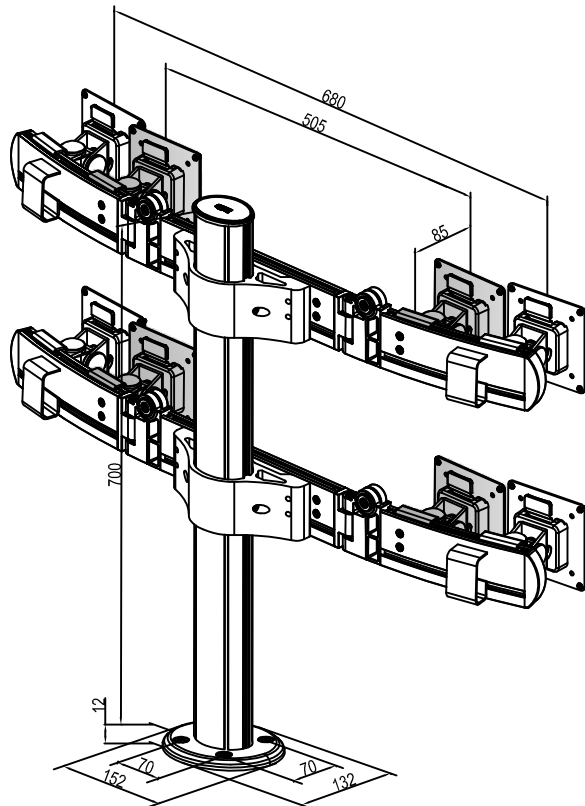


### Product Features

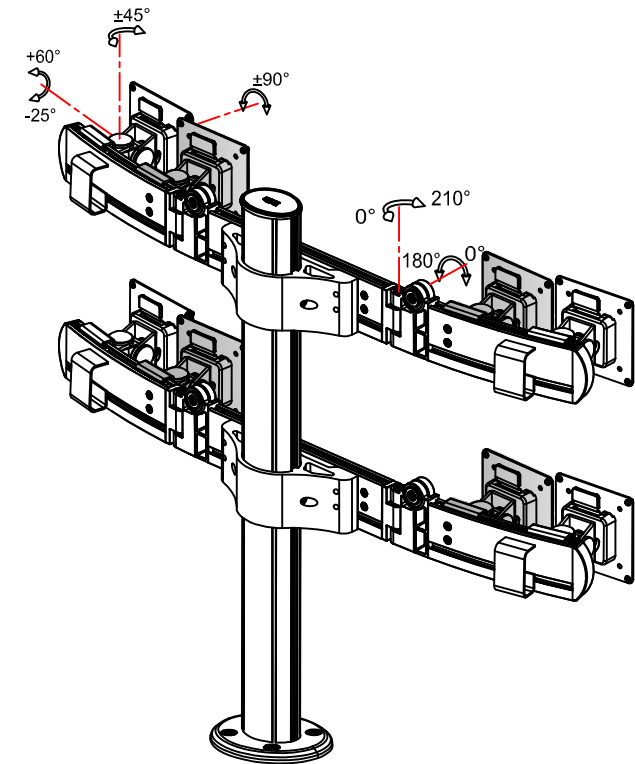
- Made by AL380 with the anodizing appearance. Mainly used in the controlling, finance, and monitoring systems.
- With the internal cable management, making the desk more concise and artistic.
- More functional arm design could make the monitors slide easily, the left and right arms could stretch back and forward, folding up and down.

### Technical parameter

LCD Size	Wt.Capacity(kg)	Lift(mm)	Tilt	Swivel	Pivot	VESA	Packing size(mm)	NW (kg)	GW(kg)	Desk thickness (mm)
≤24"	8	700	+60° ~ -25°	±45°	±90°	75*75 100*100	900*330*180	10	12.2	40



Product Dimensions



Multifunctional adjustment figure