

Product name: Single lcd monitor arm

Model No.: L100

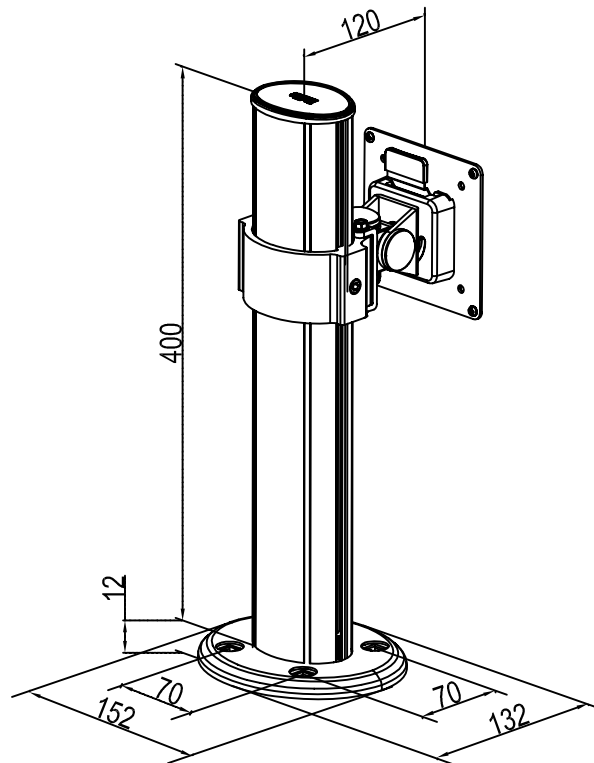


Product Features

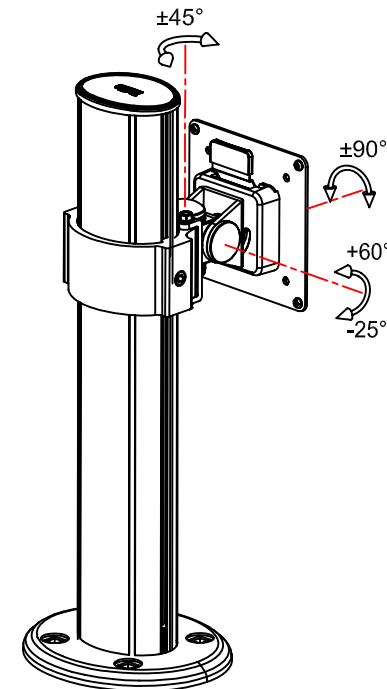
- Made by AL380 with the anodizing appearance. Mainly used in the controlling, finance, and monitoring systems.
- With the internal cable management, making the desk more concise and artistic.

Technical parameter

LCD Size	Wt.Capacity(kg)	Lift(mm)	Tilt	Swivel	Pivot	VESA	Packing size(mm)	NW (kg)	GW(kg)	Desk thickness (mm)
≤30"	13	400	+60° ~ -25°	±45°	±90°	75*75 100*100	555*180*180	2.9	3.4	40



Product Dimensions



Multifunctional adjustment figure