

Product name: Single desktop Monitor bracket

Model No. : BL101

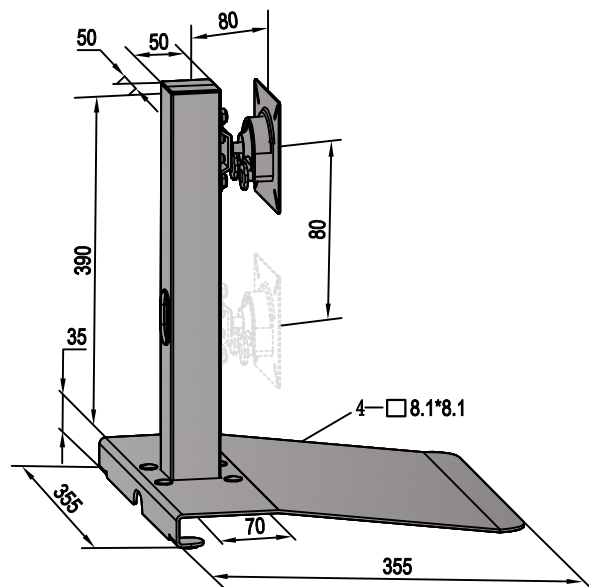


Product Features

Made of sheet metal with space painting. Widely used in console, financial, and security system etc.

cable management, keep the workstation clean and beautiful

Product Dimensions



Technical parameter

								GW (kg)
LCD Size	Wt.Capacity	Lift	Tilt	Swivel	Pivot	VESA (mm)	Packing size	5.8
<24"	13	80	±25°	±25°	360°	75*75	500*160*140	NW (kg)
						100*100	410*400*60	5.1

Mul ti functi onal adj ustment fi gure

