

Product name: Dual Lcd monitor arm

Model No.: L200

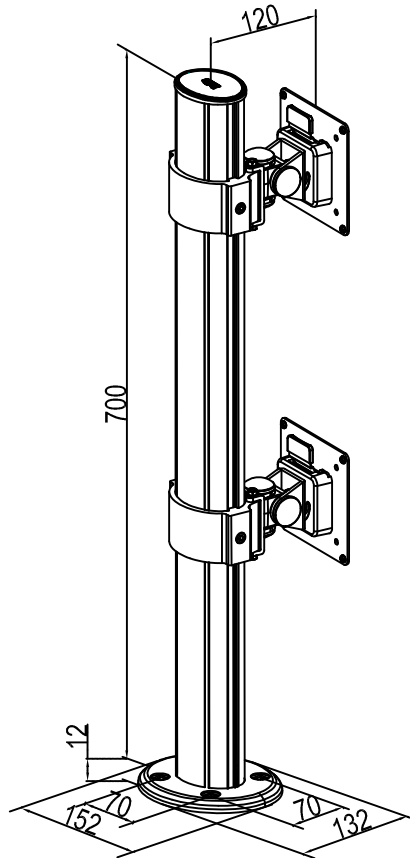


Product Features

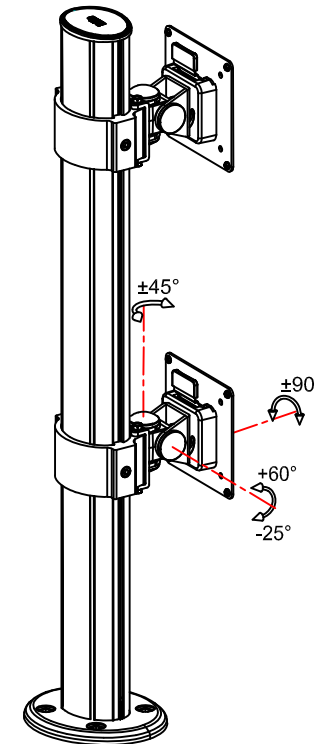
- Made by AL380 with the anodizing appearance. Mainly used in the controlling, finance, and monitoring systems.
- With the internal cable management, making the desk more concise and artistic.

Technical parameter

										Grommet mount
LCD Size	Wt.Capacity(kg)	Lift(mm)	Tilt	Swivel	Pivot	VESA	Packing size(mm)	NW (kg)	GW(kg)	Desk thickness (mm)
≤24"	11	700	+60° ~ -25°	±45°	±90°	75*75 100*100	840*180*180	4.9	5.6	40



Product Dimensions



Multifunctional adjustment figure